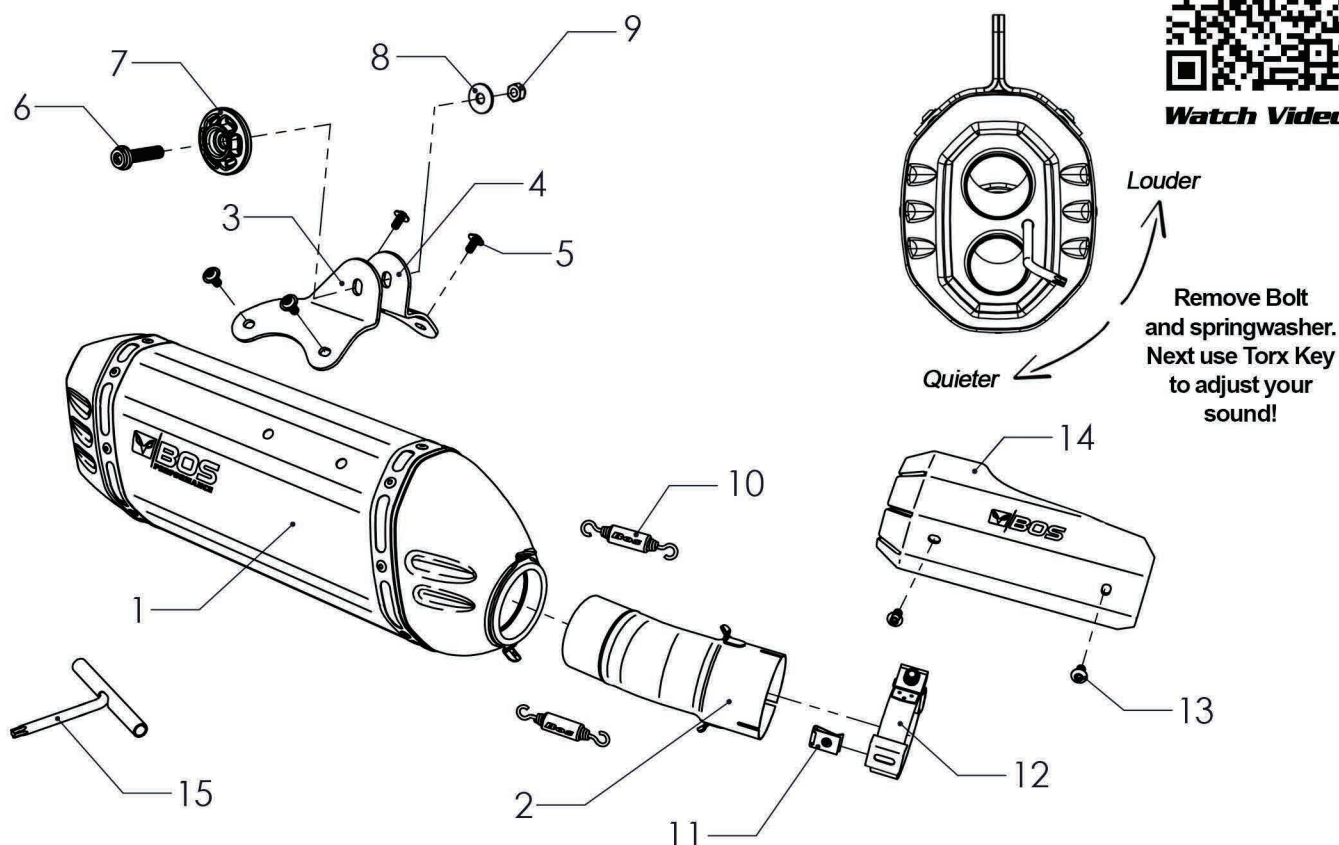




**Watch Video!**



Pos	Qty	Part No.	Description	Ordernumber
1	1	900012	Muffl. DesertFox Type 1008 Shot Blasted	<b>BM12R07-DESB - Shot Blasted</b>
1	1	900013	Muffl. DesertFox Type 1008 Carbon Steel	<b>BM12R07-DECS - Carbon Steel</b>
1	1	900015	Muffl. DesertFox Type 1008 Black Coated	<b>BM12R07-DEBL - Black Coated</b>
		<b>850003</b>	<b>Mounting Parts:</b>	<b>Weight:</b>
2	1	750006	Link Pipe	Stock: 4,6 kg
				Bos: 4,3 kg
3	1	700005	Mounting Bracket	<b>Noiselevel: @ 3875 rpm</b>
4	1	700006	Mounting Bracket	Stock: Specified 94,0 dB(A)
5	4	14148	M6x16 Torx Flange Screw	Measured 92,7 dB(A)
6	1	300010	Bolt M8x45 Torx	Bos: Closed 91,8 dB(A)
7	1	Original	Washer	Open 93,5 dB(A)
8	1	14060	Washer M8	
9	1	14055	Locknut M8	
10	2	14088	Pull Spring 36 mm.	<b>Performance</b>
11	1	14111	Speednut M5	Stock: 123,1 Hp / 7123 rpm
12	1	64780	Clamp 67 with nutcase	Bos: 126,9 Hp / 6984 rpm
13	2	Original	Bolt	Max. Hp incr.: + 4,3 Hp / 6984 rpm
14	1	600042	Heatshield	Max Nm incr.: + 4,8 Nm / 5303 rpm
15	1	14154	BOS Sound Control Key	

**Extra Parts:**

**Tips**

In order to avoid smudges and fingerprints burning into the surface it is imperative to clean the exhaust before starting the engine, burnt in stains are very difficult to remove.  
After 300 miles or 500 kms. check all nuts and bolts and retighten if necessary.